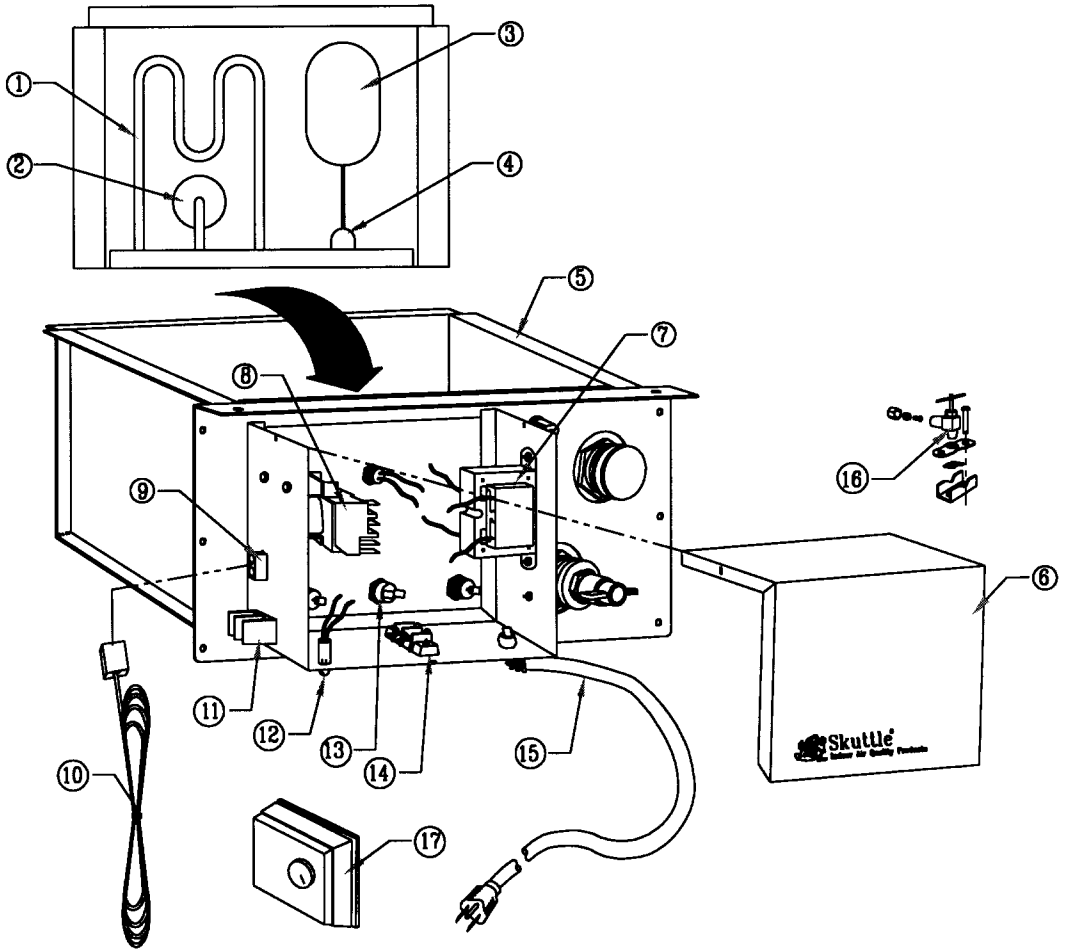


MODEL 60-2 REPLACEMENT PARTS LIST



KEY NO	PART NO.	DESCRIPTION
1	000-0430-056	1 HEATING ELEMENT
2	000-0814-132	1 SAFETY FLOAT SWITCH
3	A00-1309-012	1 FLOAT FOR WATER FILL VALVE
4	000-1731-012	1 WATER FILL VALVE
5	A01-1730-078	1 WATER PAN ASSEMBLY
6	000-0641-150	1 ELECTRICAL ENCLOSURE COVER
7	000-0814-140	1 TRANSFORMER 240V PRI. 24V SEC.
8	000-0431-031	1 CONTROL RELAY DPST 24V
9&10	A00-0811-120	1 FAN WIRING ASSEMBLY 2PCS.
11	000-0814-135	1 HUMIDISTAT CONTROL TERMINAL BLOCK
12	000-0814-139	1 INDICATOR LIGHT
13	000-0431-030	1 THERMAL FAN CONTROL "THERMOSTAT"
14	000-0814-134	1 POWER DISTRIBUTION BLOCK
15	000-0811-108	1 POWER SUPPLY CORD W/STRAIN RELIEF
16	A00-1128-005	1 SADDLE VALVE ASSEMBLY
17	SK0-0055-001	1 HUMIDISTAT ASSEMBLY
18	A00-0693-020	1 GASKET SET (5) PIECE (NOT SHOWN)